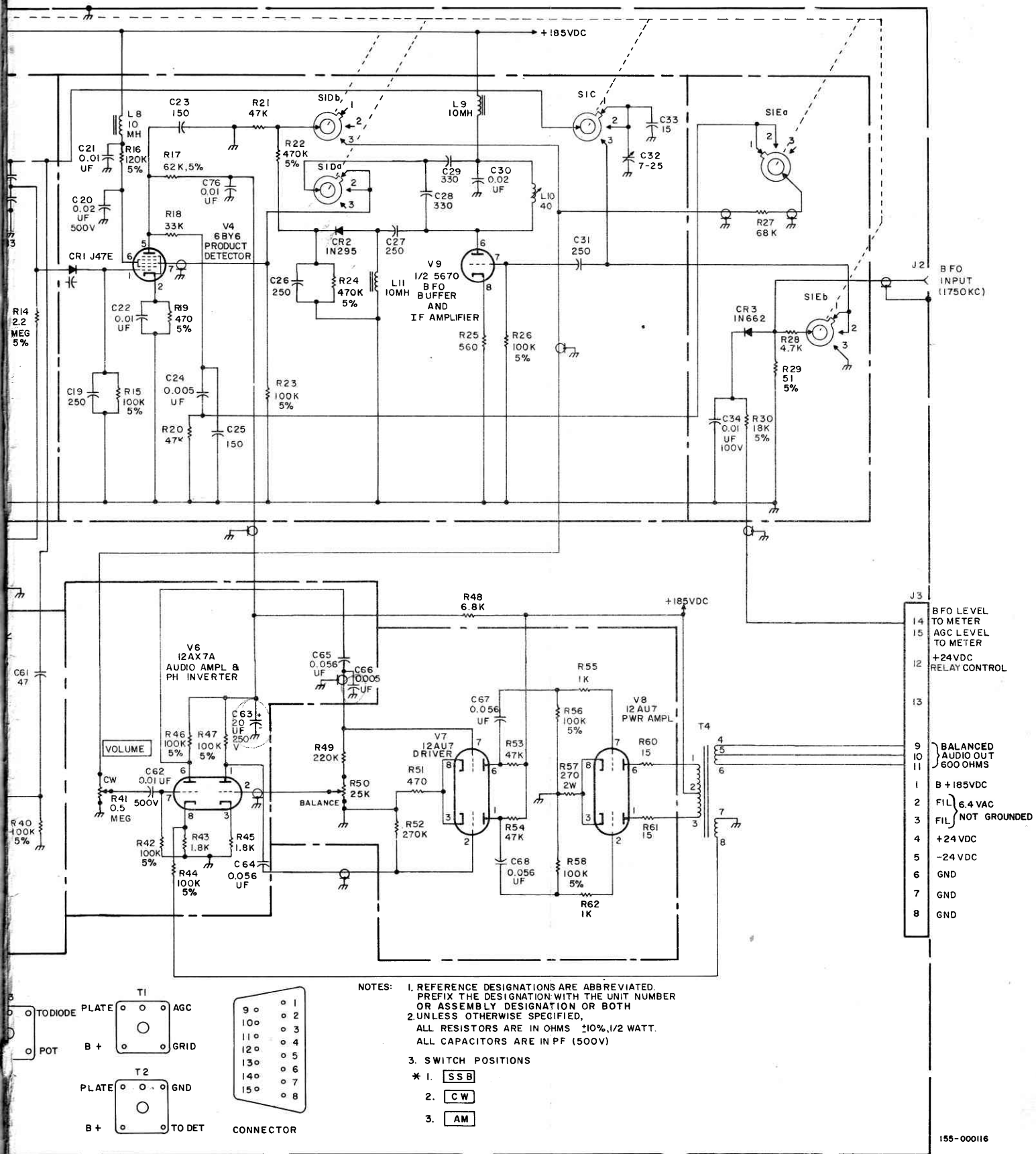


Figure 4-5. Schematic Diagram,



155-000116